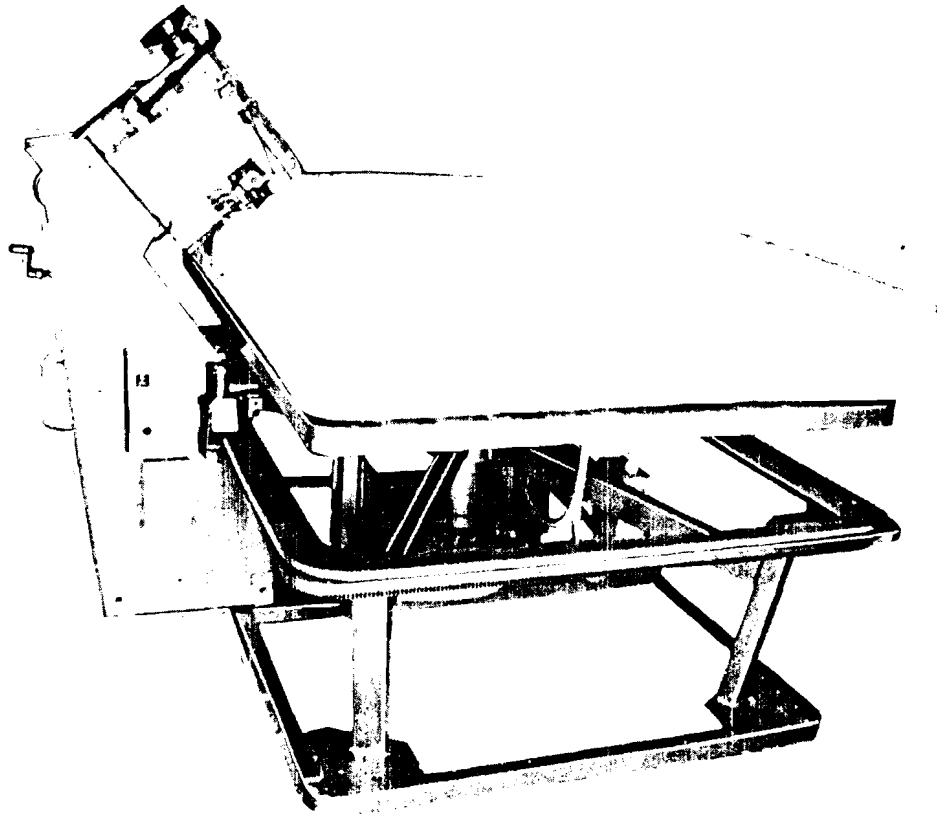


PARTS BOOK

for the 72SNM and 100SNM



JAMES CASH MACHINE CO., INC.

100 OUTER LOOP

Manufacturers of Bedding Machinery

LOUISVILLE, KY 40214

40 YEARS OF DESIGNING AND BUILDING BETTER BEDDING MACHINERY

Phone No. (502) 361-1726 — Fax No. (502) 361-4287

TABLE OF CONTENTS

<u>Page</u>	<u>Part No.</u>	<u>DESCRIPTION</u>	<u>Page</u>	<u>Part No.</u>	<u>DESCRIPTION</u>
4	MT165	1 3/4" Cam follower	8	MT44	1/2" Flat washer
5	MT1	Release pin to remove unit	8	MT45	1" Square cold roll
5	MT2	5/8-3/4-1 1/2 Bushing	8	MT46	1/4-3-1 1/2" Angle
5	MT3	Complete mounting for unit	8	MT47	1/2 x 13 Jam nut
5	MT4	3/8x97 1/2" Round endless belt	8	MT48	Spacer material 3/4-2 1/2-7
5	MT5	Hitch clip	8	MT49	1" Cam follower
5	MT6	Complete modular unit	8	MT50	7/16 x 20 Jam nut
5	MT154	Complete clutch assy.	9	MT51	Brake arm
6	MT7	Gear reducer (40-1)	9	MT52	7/8" Cam follower
6	MT8	NSS 1040 modified	9	MT53	3/8 x 24 Jam nut
6	MT9	Key 1/4x1/4x2"	9	MT54	Bushing 5/8 x 3/4 x 2
6	MT10	Allen cap screw 5/16-18x1 1/4"	9	MT55	5/8 x 11 x 3 1/2 Hex head
6	MT11	Set screw 5/16-18-5/16	9	MT56	Needle bearing thrust washer
6	MT13	2 Grove pulley with brake surface	9	MT57	Brake lining 2" x 4"
6	MT15	Set screw 5/16-18-1/2"	9	MT58	Rivets
6	MT122	V-belt 5L350 Dom./5L370 exp.	9	MT59	Brake casting (tensaloy)
6	MT123	Sliding disc	9	MT60	5/8 x 11 x 4 1/2 Hex head
6	MT124	Hub assembly	9	MT61	5/8 x 11 Jam nut
6	MT125	Balls	9	MT62	5/8 Flat washer
6	MT126	Cotter pin	9	MT63	5/8 Flat washer
6	MT127	Clevis pin	9	MT64	5/16 x 18 x 3/4 Allen cap screw
6	MT128	Retaining ring	9	MT65	5/16 Flat washer
6	MT129	Drive pin	9	MT66	5/16 Lock washer
6	MT130	Cam sleeve	9	MT67	5/16-18-1" Hex head cap screw
6	MT130A	Bearing assy.	9	MT68	1/4-3/8-2 1/2 w/3/8 tapped H
6	MT130B	Small retaining ring	9	MT69	HP 1206-2 Die spring
6	MT131	20A 250V 4W plug	9	MT70	3/8-16-4 1/2" All thread rod
6	MT132	16" Motor wire	9	MT71	3/8-16 Jam nut
6	MT133	1725 RPM motor	9	MT72	Adjustment bracket (1/4x1x1/2)
6	MT154	Complete cluth assy.	9	MT73	Adjustment bracket mount
6	MT155	Motor key 3/16-3/16x1"	10	MT74	1/2-20x1 1/4" Allen cap
7	MT19	Complete arm	10	MT75	1/4x20 Jam nut
7	MT20	Full nut 3/8-24	10	MT76	V3C Spring w/3 coils cut off
7	MT21	HP 1206-2 Die spring	10	MT77	1/2" Ball bearing
7	MT22	3/8-24x5 1/4" All thread rod	10	MT78	AS30 Fitted for 1/2" ball brg.
7	MT23	Rod end	10	MT79	1/2x13 Jam nut
7	MT24	Arm less all parts	10	MT80	1/2-13-2 Hex head 5/8" shoulder mod
7	MT25	Boss	10	MT81	Bushing 5/8 x 3/4 x 2"
7	MT26	Set screw 5/16-18-1/2	10	MT82	Belt idler pivot arm
7	MT27	5/16-18-2 Socket cap screw (mod)	10	MT83	5/8" Needle bearing thrust washer
7	MT28	5/16-18-1 Hex head	10	MT84	5/8" ball bearing
7	MT29	5/16-18-2 1/4 Hex head	10	MT85	5/8" Set collar
7	MT30	Mounting flange	10	MT86	5/8" Rod
7	MT31	5/16-18 Jam nut	10	MT87	Head Mount
7	MT32	3/4-1-2 Bushing	10	MT88	Head Mount pivot flange
7	MT33	3/4 Set collar 2 x 570	10	MT89	6-32 x 1/4 Allen flat head
7	MT34	Handle	10	MT90	AK64-1" Fitted for 5/8 ball brg.
7	MT35	3/4-10 Jam nut	10	MT91	5/16x18 Jam nut
7	MT36	Knee BK threaded adj. arm	10	MT92	Cash thread guide 5/16 rod
7	MT37	Knee pad	11	MT93	3/4-10 Jam nut w/ 1/4-20 set sc
7	MT160	5/16-3/8-1/2 Bushing	11	MT93A	3/4" Set collar
8	MT38	1/2-13-2" Hex head L & R idler	11	MT94	Wheel yoke arm
8	MT39	5/8-2 3/4" Shoulder bolt	11	MT95	3/4-10x6 1/4 Socket cap screw
8	MT40	5/8 Ball bearing	11	MT96	Hex head bolt 1/2-13-2" w/ 1/2 flat
8	MT40A	1/2 Ball bearing	11	MT97	1/2x13 Jam nut
8	MT41	V Belt idler (less bearings)	11	MT98	Over hanging bracket (only)
8	MT42	1/2" Idler (less bearings)	11	MT98A	Over hanging bracket (complete)
8	MT43	1/2" Set collar 2 x 568	11	MT99	1/2-13x3 1/4 Allen cap

TABLE OF CONTENTS

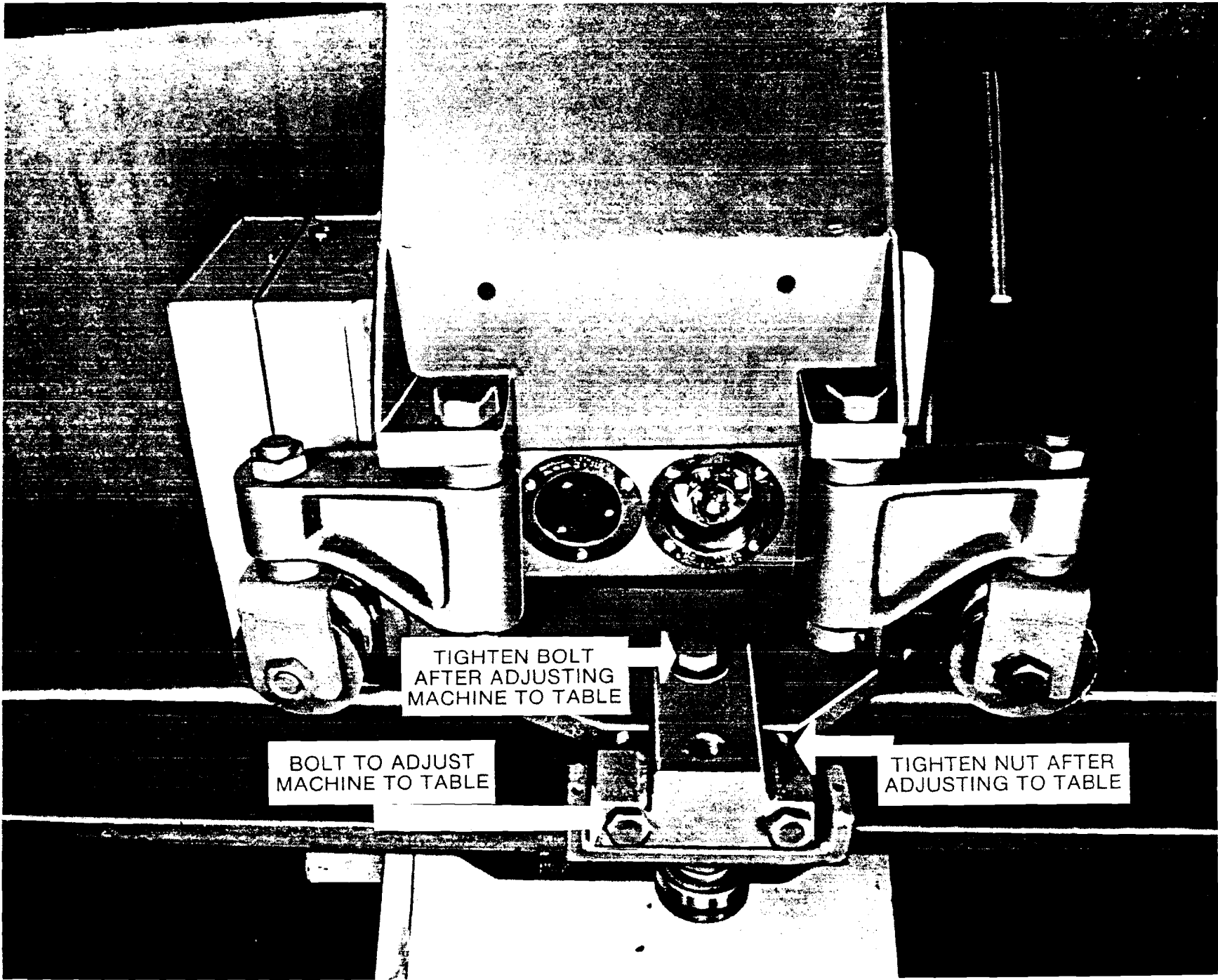
Page	Part No.	DESCRIPTION	Page	Part No.	DESCRIPTION
11	MT100	3/4" thrust bearing	16	MT151	Set screw 5/16x18x5/8
11	MT101	Carriage wheel covers	16	MT152	Brass screw nut
11	MT102	Wheel yoke (with safety)	16	MT163	1 1/4" Flange block bearing
11	MT102A	Wheel joke (with no safety)	16	MT164	Main screw
11	MT103	5/8-11-2 3/4" Hex hd w/2" shoulder	16	MT185	Elevating slide tube
11	MT104	1/4x20x5/16 Set screw	16	MT186	Main pedestal mount
11	MT105	Adj. plt overhanging brkt.	16	MT187	5x5 1/2x1 Brass bushing
11	MT106	1/2" lock washer	16	MT188	10-24x3/8 F.H. socket cap screw
11	MT107	Spacer 9/16 washer	16	MT189	Table stabilizer
11	MT108	Carriage wheel (less bearing)	16	MT190	1/2-13x1 3/4 socket cap screw
11	MT108A	5/8" ball bearing	16	MT191	Slack adjustment bracket
11	MT109	5/8 x 11 Jam nut	16	MT192	5/16 Flat washer
11	MT110	Bearing 55504	16	MT193	5/16 Lock washer
11	MT111	1/2-13x1" Allen cap	16	MT194	5/16-18x3/4 Hex head cap screw
11	MT112	3/4 Hex head bolt (modified)	16	MT195	1/2 Lock washer
11	MT113	3/8-16-3/4" Set screw	16	MT196	1/2-13x1 Hex head cap screw
11	MT114	Carriage wheel cover	16	MT197	5/16 Lock washer
11	MT116	3/8-16-1 Hex head	16	MT198	5/16-18x1 1/4 Socket cap screw
11	MT117	3/8" Lock washer	17	MT146	Set screw 1/4-20-1/4
11	MT118	5/16-18-5/16 Set screw	17	MT147	Key 3/16x1 1/4
11	MT119	Mounting plate	17	MT148	Motor sprocket 419 5/8 w/2 ss
11	MT120	Safety bracket	17	MT153	Table motor 1/2 H.P.
11	MT121	1" Cam follower	17	MT161	Gear rack corner
12	MT167	Threaded shaft (head tilt)	17	MT162	3/8-16-1 1/4 Allen cap screws
12	MT168	Crank handle	18	CR1062R1B	Manual starter
12	MT169	5/8 Jam nut	18	JN421	Disconnect gen duty safety switch
12	MT170	Needle bearing	18	TET73	3/8 Male Rod end brg.
12	MT171	Head tilt bearing block	18	TET73A	1/4-28 Full Hex nut
12	MT172	Screw 5/16-18-3/8	18	TET74	Pusher type bracket
12	MT173	Head tilt block	18	TET76	8-32x5/8 F.H. socket cap screw
12	MT174	Set screw 1/4-20x1/4	18	TET88	Large ring cover (top)
12	MT175	Head tilt conn. link	18	TET102	3/8 Lock washer
12	MT176	Bolt 3/8-16-1 1/4	18	TET103	3/8-16 Hex nut
12	MT177	5/8 Jam set nut (special)	18	TET104	Wire guide
12	MT178	Set screw 8-32x3/16	18	TET105	Brush block cover
12	MT179	Nice thrust bearing	18	TET106	10-24x3/8 R.H. machine screw
12	MT180	1/2-5/8-1 Bushing	18	TET107	Support arm for pusher assy.
12	MT181	1/2" Torr. washer	18	TET108	Block
12	MT182	Thrust bearing	18	TET108A	1/4-20x1 Socket cap screw
12	MT183	Hex jam nut 1/2-13	18	TET109	3/8-16x1 Hex head cap screw
13	MT134	Flanged receptacle	18	TET109A	3/8 Lock washers
13	MT135	Male motor plug	18	TET111	3/8-16x2 3/4 Hex head cap screw
13	MT136	Plug	18	TET112	Swivel block
13	MT137	Push button (stop)	18	TET114	3/8-16 Hex nut
13	MT138	Push button (start)	18	TET115	3/8-16 Hex nut
13	MT139	Switch (self centering)	18	TET116	3/8-16x1 1/2 Hex head
13	MT140	Complete switch panel	18	TET116	Brush block cover
13	MT159	Female plug (light)	19	TET76	8-32x5/8 F.H. socket cap screw
14	MT141	Starter	19	TET76	Power ring (complete)
14	MT142	Starter	19	TET761	Aluminum ring #1
14	MT143	GE transformer	19	TET762	Aluminum ring #2
14	MT144	Starter	19	TET763	Aluminum ring #3
14	MT145	1/4-20-1/2 Round HD machine screw	19	TET764	Aluminum ring #4
15	M28503	Brush block	19	TET765	Aluminum ring #5
15	M28526	Overhead switch brush	19	TET766	Aluminum ring #6
15	SA14	Appleton ceiling switch	19	TET767	Aluminum ring #7
16	MT149	Sprocket for main screw	19	692	Table brush
16	MT150	Main sprocket key 3/8 x 1 1/2	19	M28503	Brush block

TABLE OF CONTENTS (continued)

<u>Page</u>	<u>Part No.</u>	<u>DESCRIPTION</u>
20	MT-51VHS	Brake Arm
20	CF-7/8	Cam Follower
20	MT13VHS	Pulley
20	5L340	V Belt
20	MT1547/8	Clutch
20	MT-59VHS	Brake Casting
20	MT57VHS	Brake Lining for Brake 4x4
20	P6210	Bushing
20	4Z377	Variable Speed Control for 2HP DC Motor
20	4Z380	2HP DC Motor

**PARTS LISTED ON PAGE 20 ARE SPECIFIC ONLY TO THE MODELS:
72SNM-VHS & 100SNM-VHS VARIABLE HIGH SPEED TAPE EDGE**

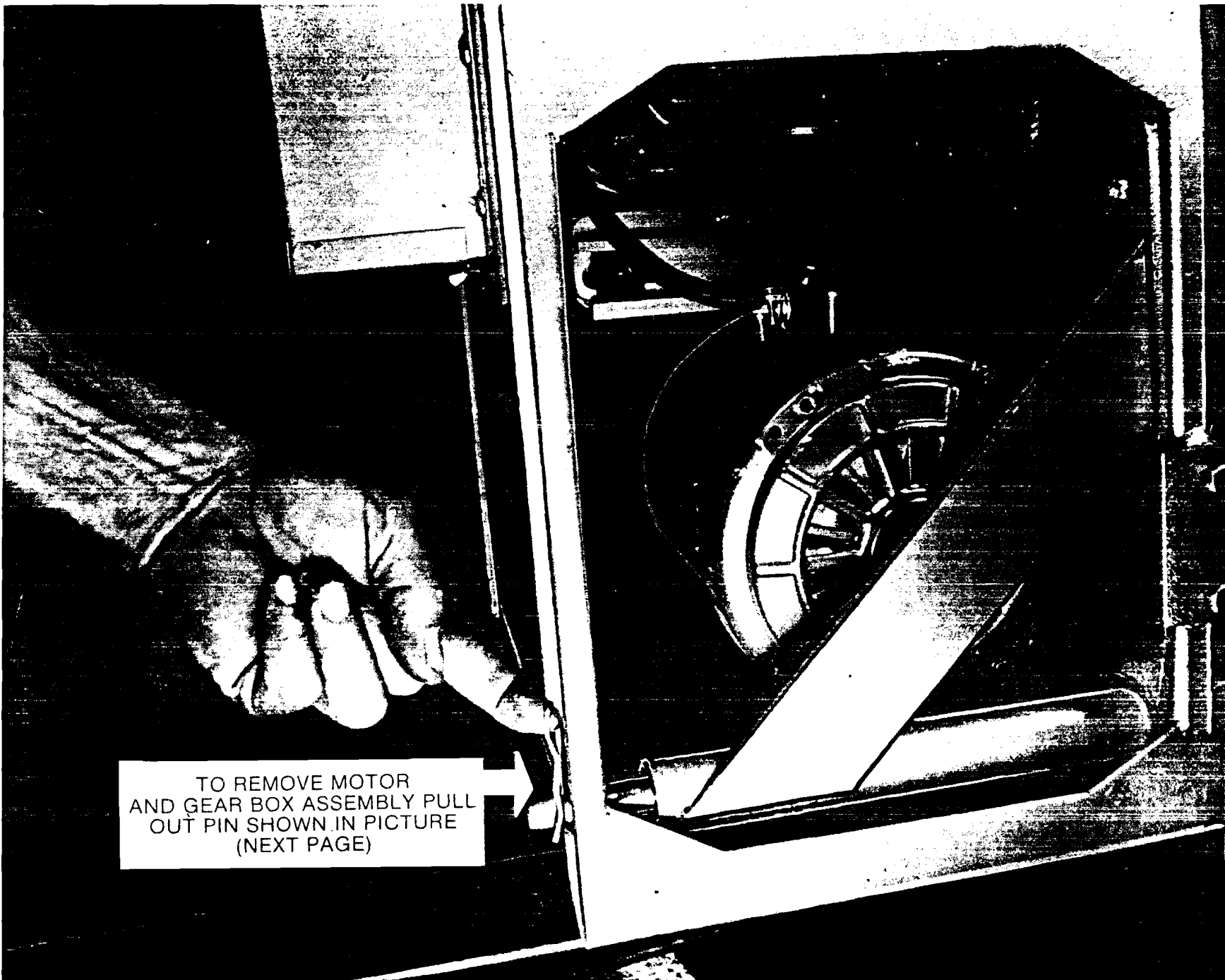
21	MT-51VHS	Brake Arm
21	CF-7/8	Cam Follower
21	MT13VHS	Pulley
21	5L340	V Belt
21	MT1545/8	Clutch



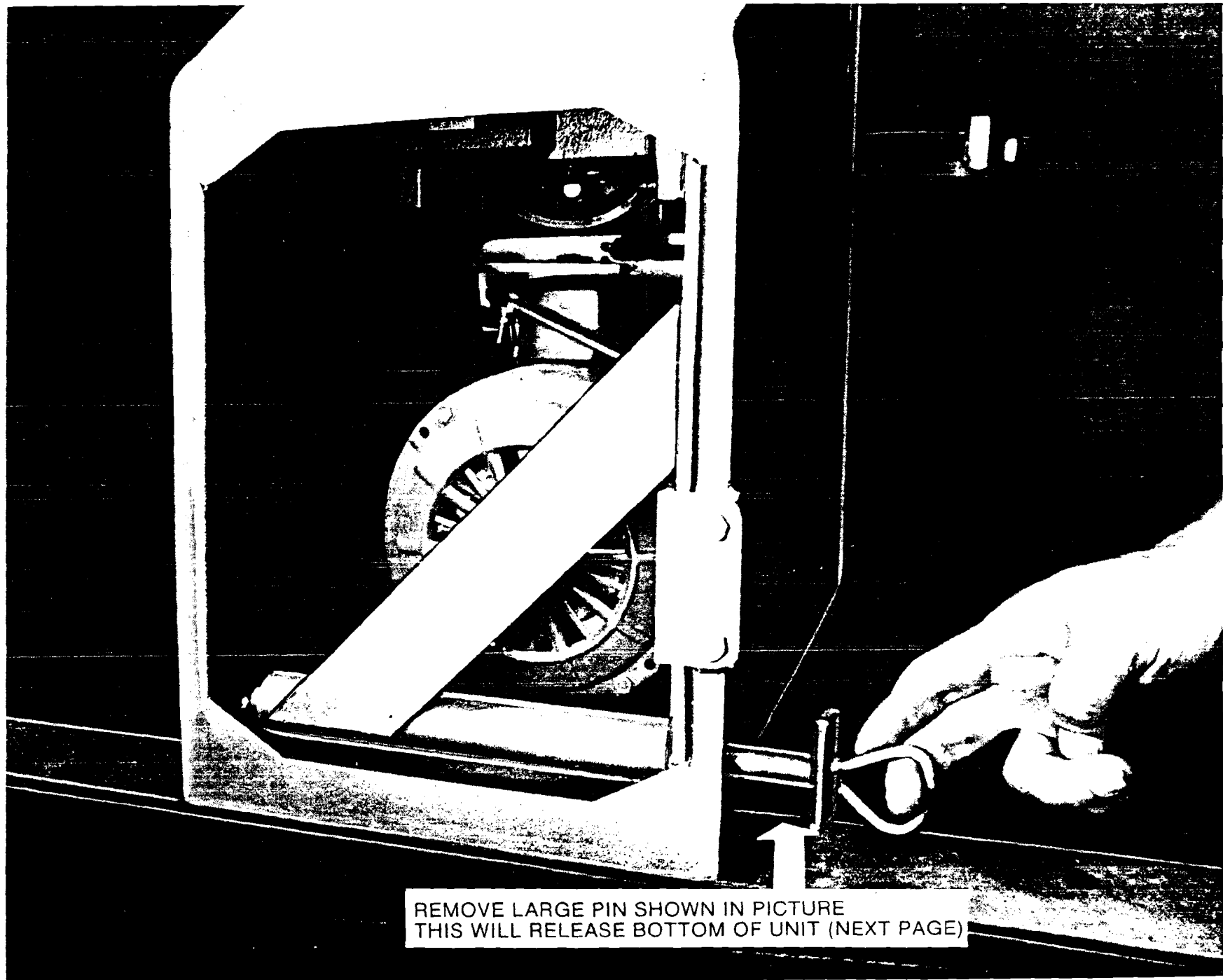
TIGHTEN BOLT
AFTER ADJUSTING
MACHINE TO TABLE

BOLT TO ADJUST
MACHINE TO TABLE

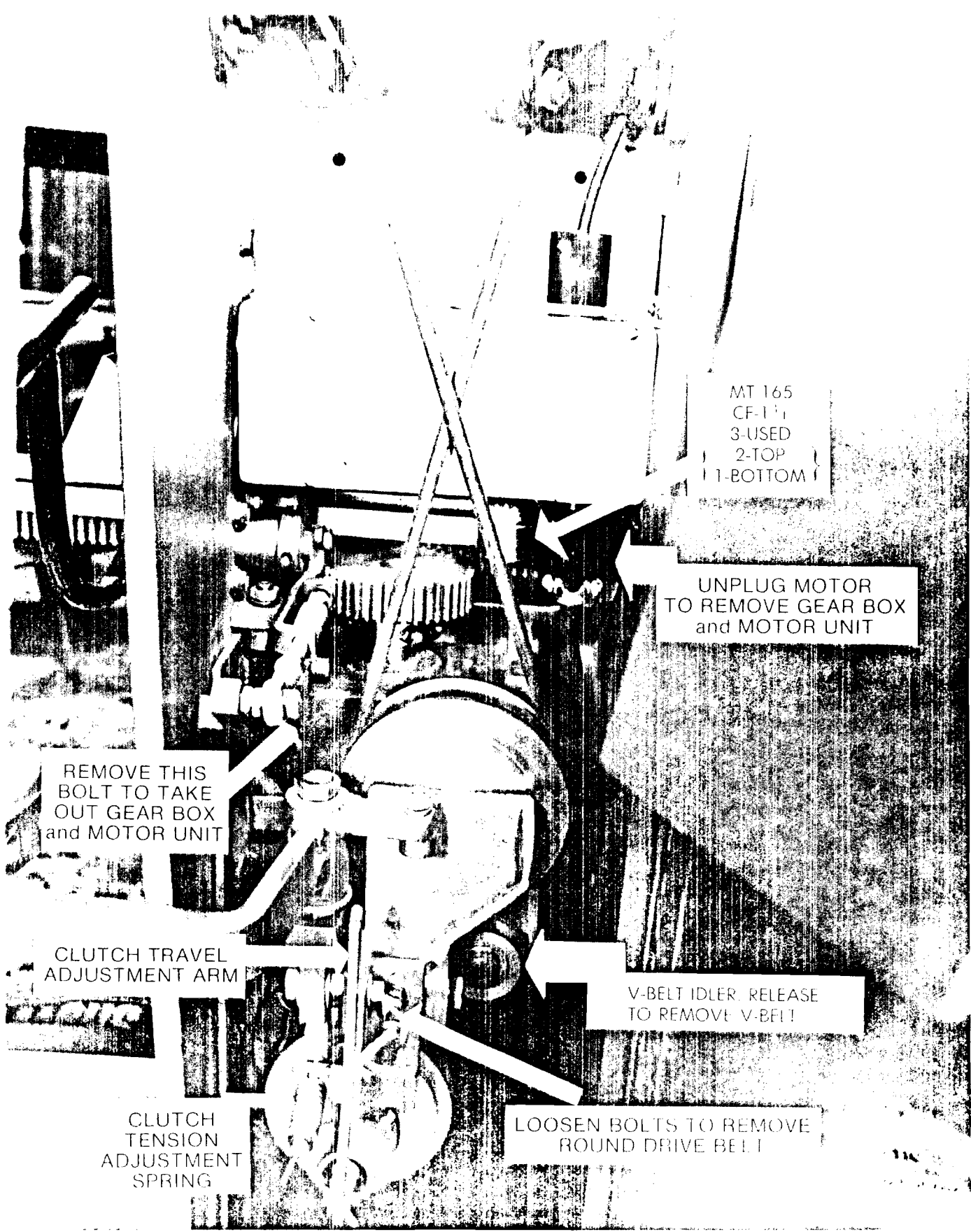
TIGHTEN NUT AFTER
ADJUSTING TO TABLE



TO REMOVE MOTOR
AND GEAR BOX ASSEMBLY PULL
OUT PIN SHOWN IN PICTURE
(NEXT PAGE)



REMOVE LARGE PIN SHOWN IN PICTURE
THIS WILL RELEASE BOTTOM OF UNIT (NEXT PAGE)



MT 165
CF-1
3-USED
2-TOP
1-BOTTOM

UNPLUG MOTOR
TO REMOVE GEAR BOX
and MOTOR UNIT

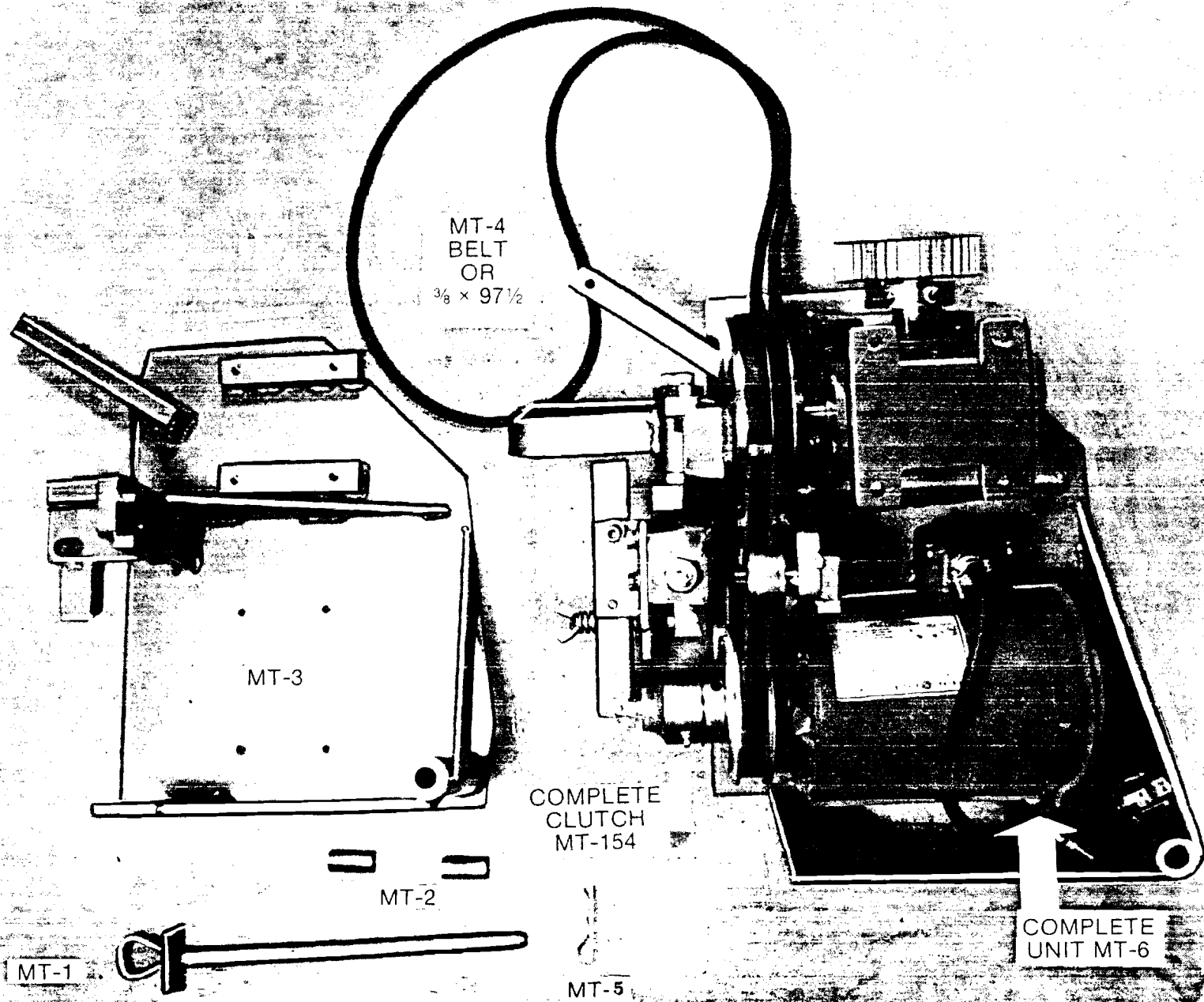
REMOVE THIS
BOLT TO TAKE
OUT GEAR BOX
and MOTOR UNIT

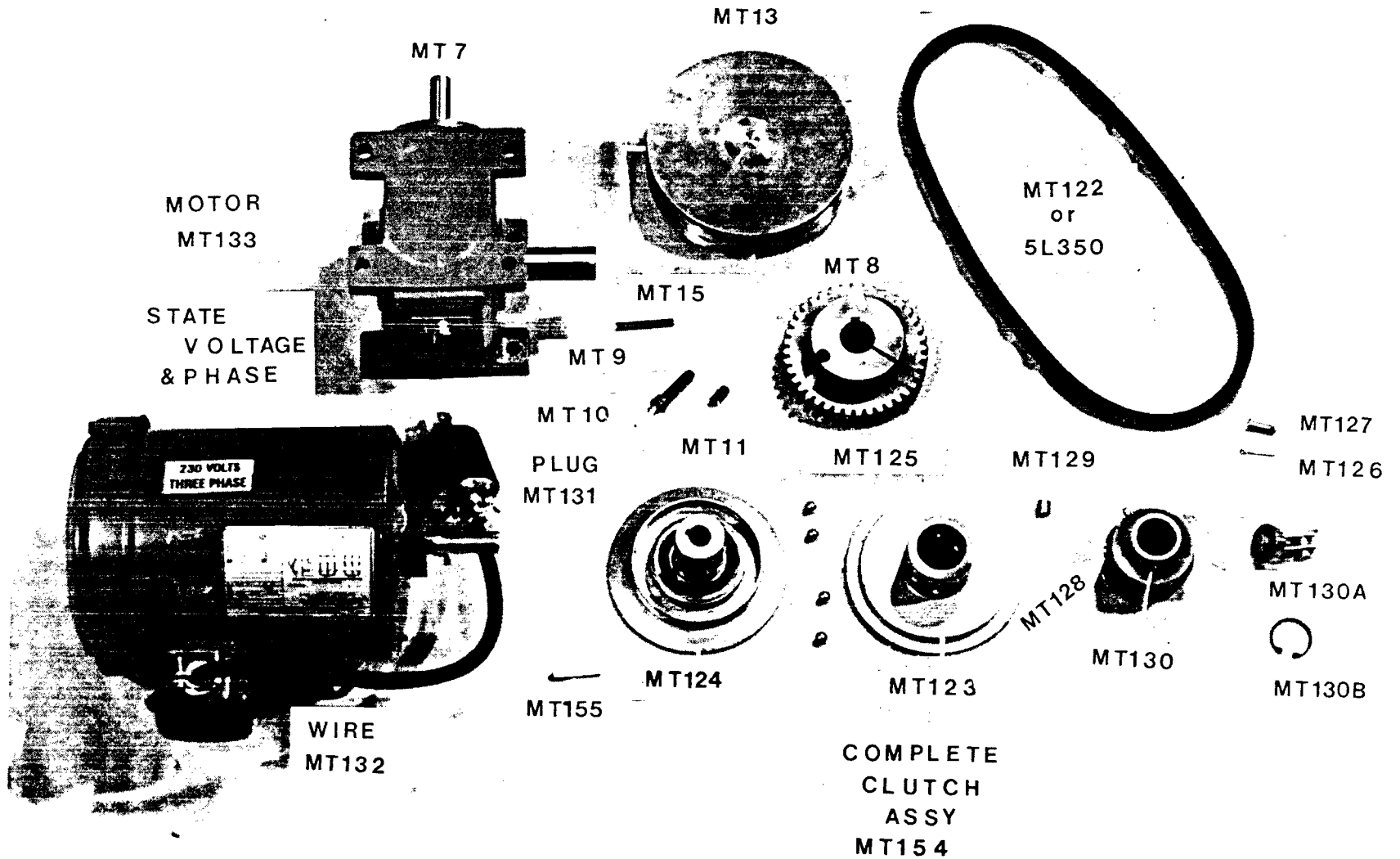
CLUTCH TRAVEL
ADJUSTMENT ARM

V-BELT IDLER. RELEASE
TO REMOVE V-BELT

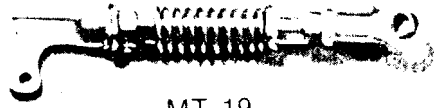
CLUTCH
TENSION
ADJUSTMENT
SPRING

LOOSEN BOLTS TO REMOVE
ROUND DRIVE BELT



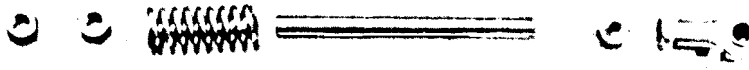


COMPLETE ARM



MT-19

MT-27



MT-20

MT-21

MT-22

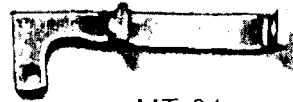
MT-20

MT-23

MT-26



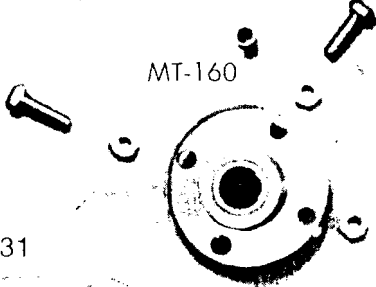
MT-25



MT-24

MT-160

MT-28



MT-30

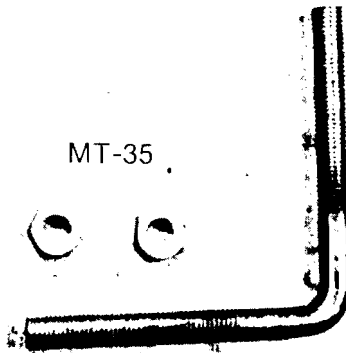
MT-31

MT-31

MT-29

MT-35

MT-35

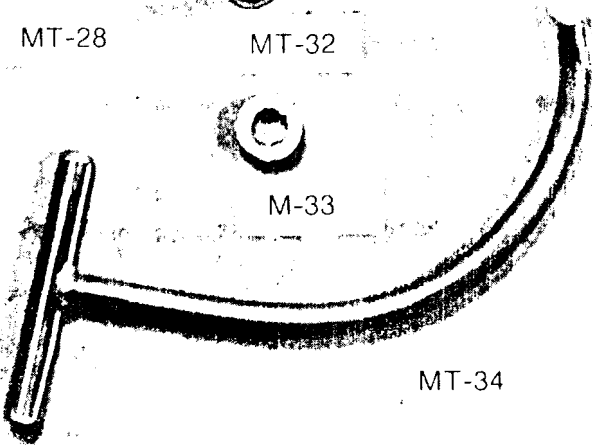


MT-36

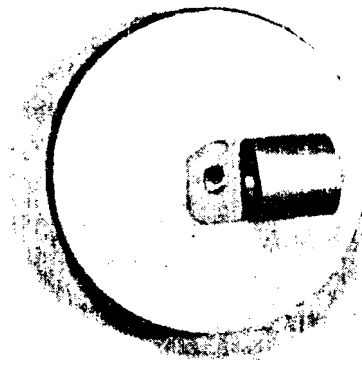
MT-28

MT-32

M-33



MT-34



MT-37

LEFT IDLER

V-BELT IDLER

RIGHT IDLER

MT-38



MT-39



MT-38



MT-40A
or
S5KDD



MT-40
or
S7KDD



MT-40A
or
S5KDD



MT-42



MT-40
or
S7KDD



MT-42



MT-40A
or
S5KDD



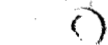
MT-43



MT-40A
or
S5KDD



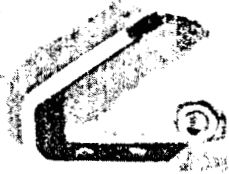
MT-44



MT-44



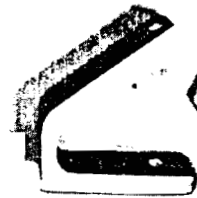
MT-46



MT-47



MT-46



MT-47



MT-49
or
CF-1



MT50



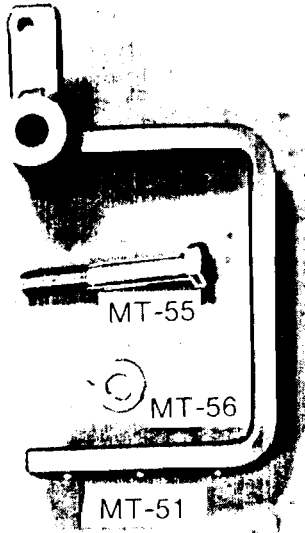
MT-48
SPACER



MT-52
or
CF-7/8

MT-53

MT-54



MT-57

MT-58

MT-59

MT-60

MT-61

MT-62

MT-61

MT-63



MT-65

MT-66

MT-67

MT-64

MT-66

MT-65

MT-68

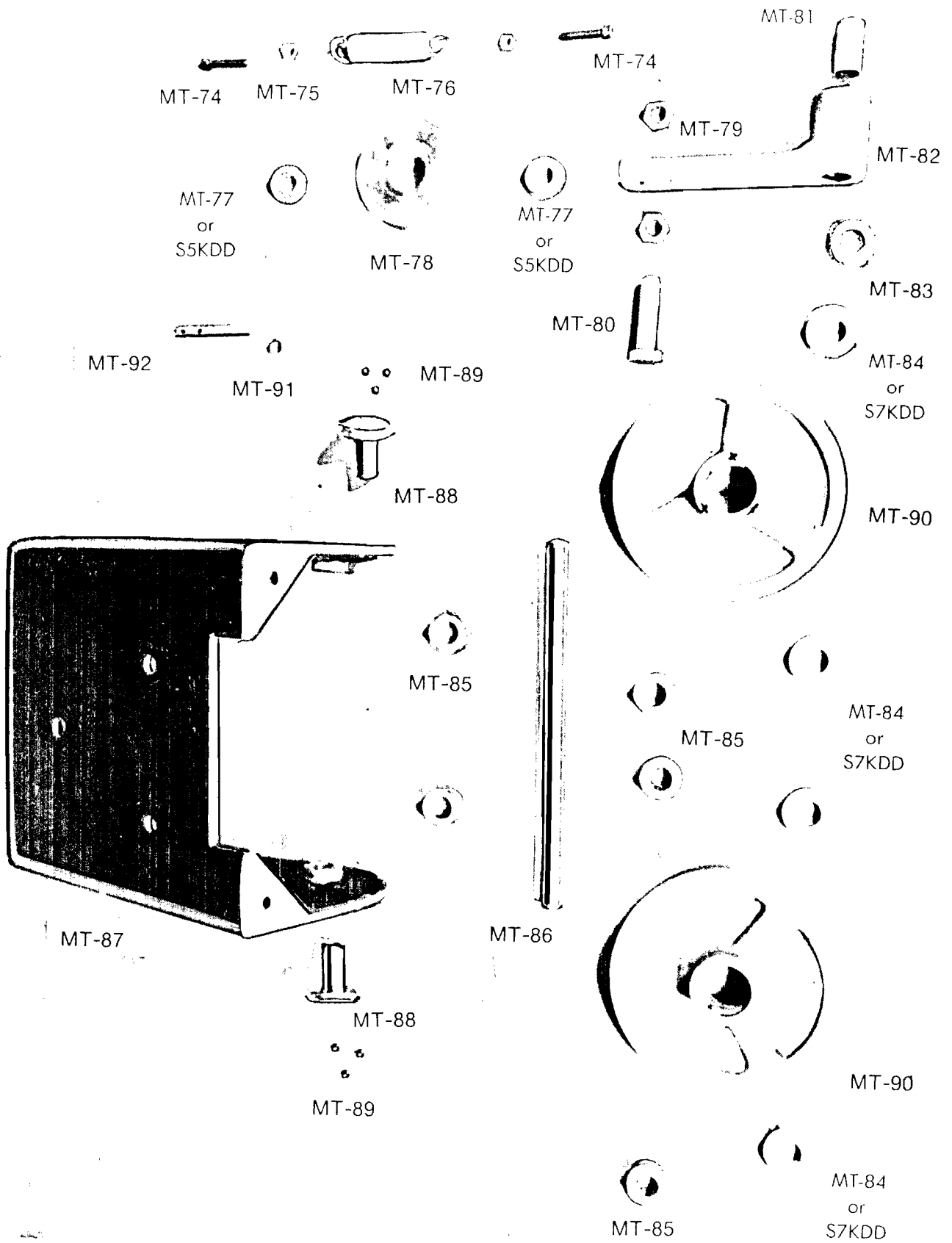
MT-69

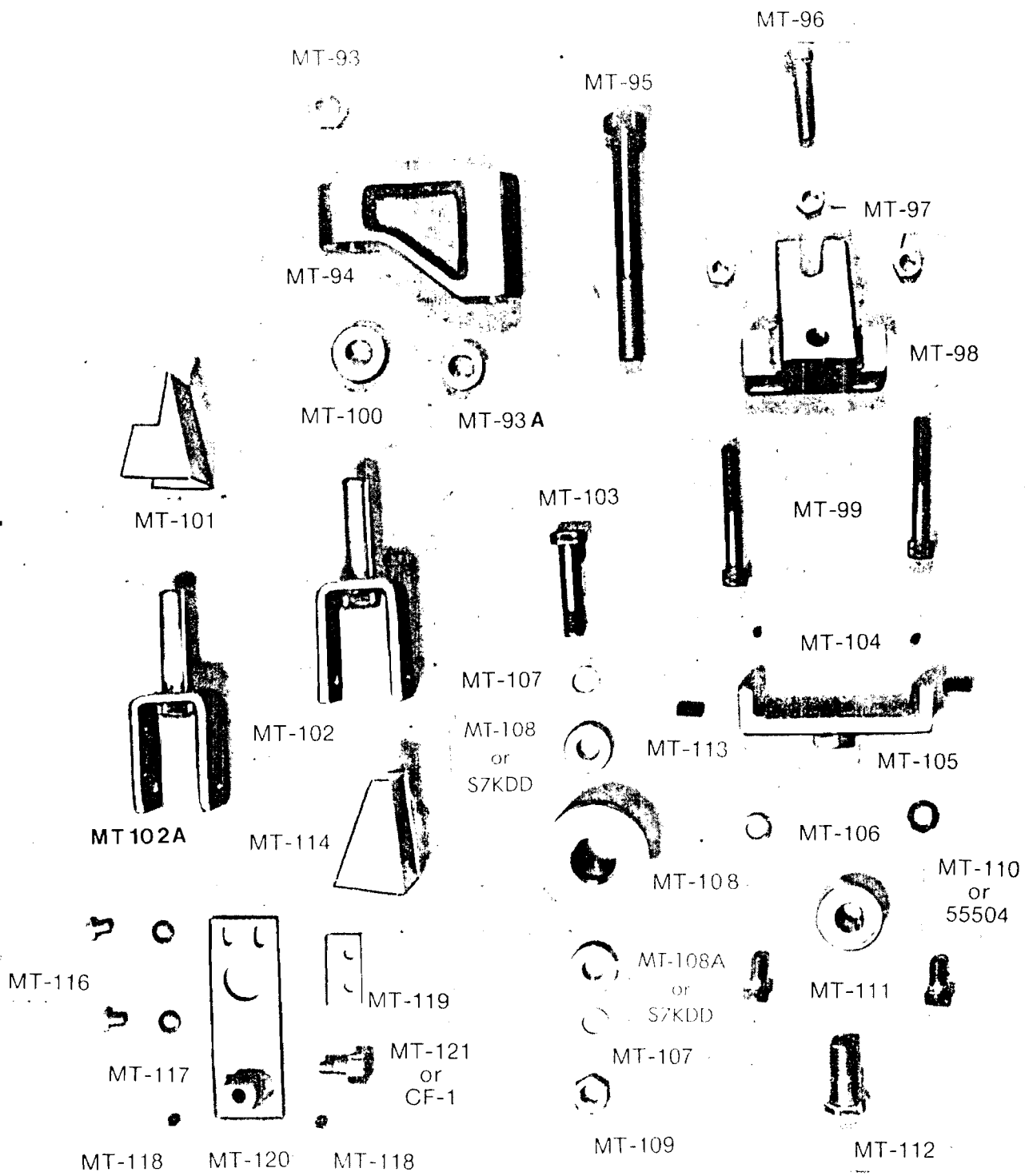
MT-70

MT-71

MT-72

MT-73





MT98A COMPLETE

MT183

MT183

MT181

MT182

MT181

MT169



MT167



MT170



MT173



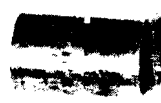
MT170



MT171



MT180



MT179



MT177



MT178



MT174



MT176



MT171



MT170



MT172



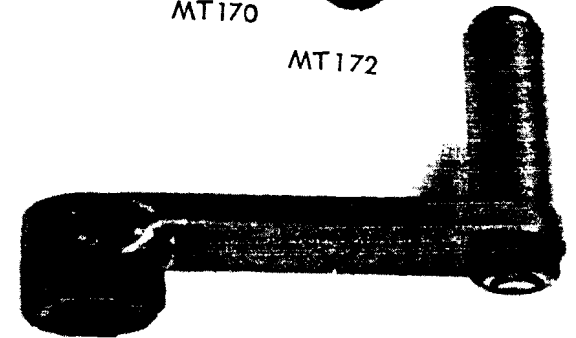
MT170



MT172

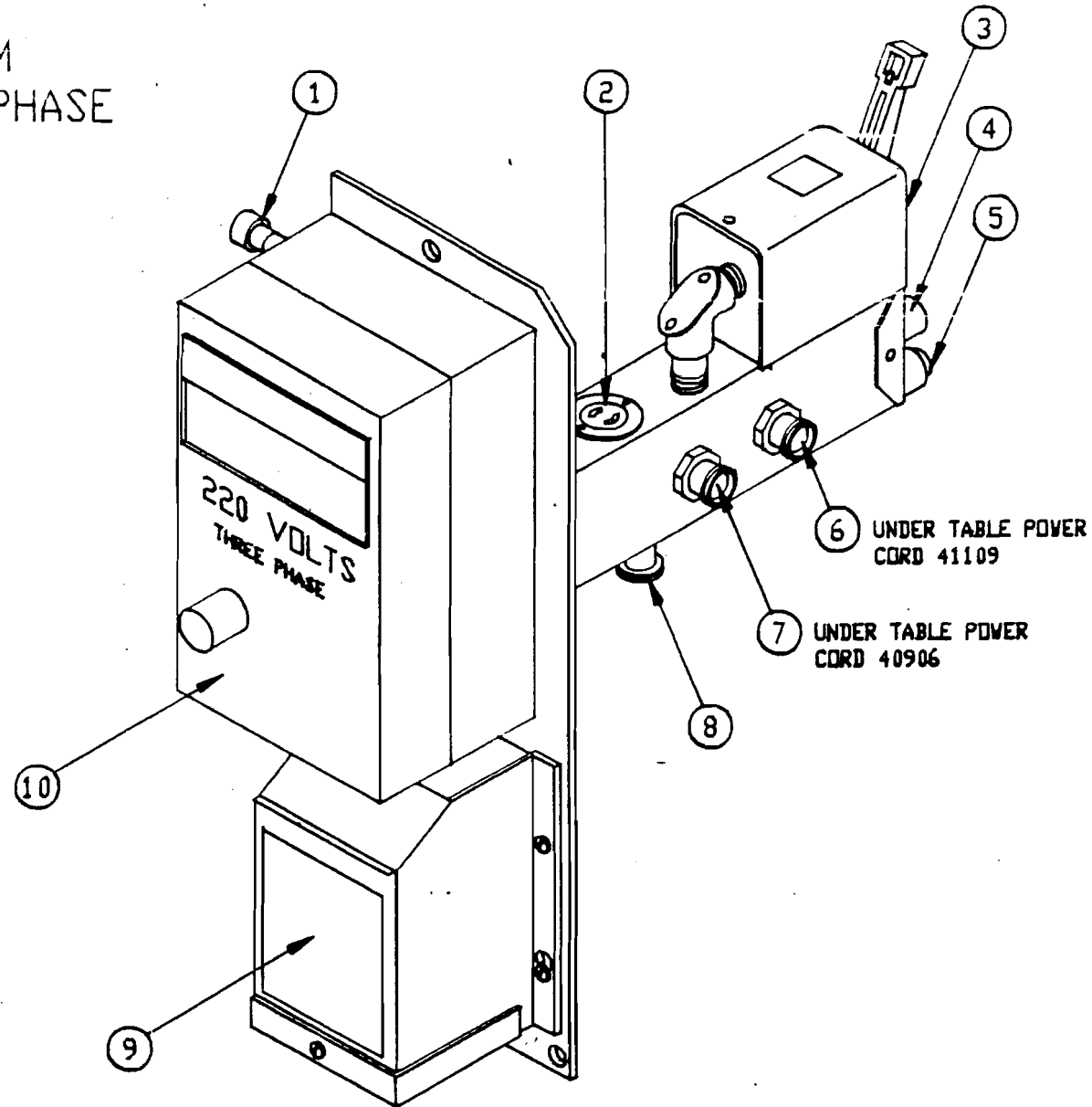


MT175



MT168

100 SNM
THREE PHASE



1	ABC 6	FUSE
2	7468	RECEPTACLE
3	9441H137	DRUM SWITCH
4	800MRA1AS	START BUTTON
5	800MRB6AS	STOP BUTTON
6	41103	RECEPTACLE
7	40910	RECEPTACLE
8	41104	RECEPTACLE
9	9T51B5	TRANSFORMER
10	CR306B102	CONTACTOR

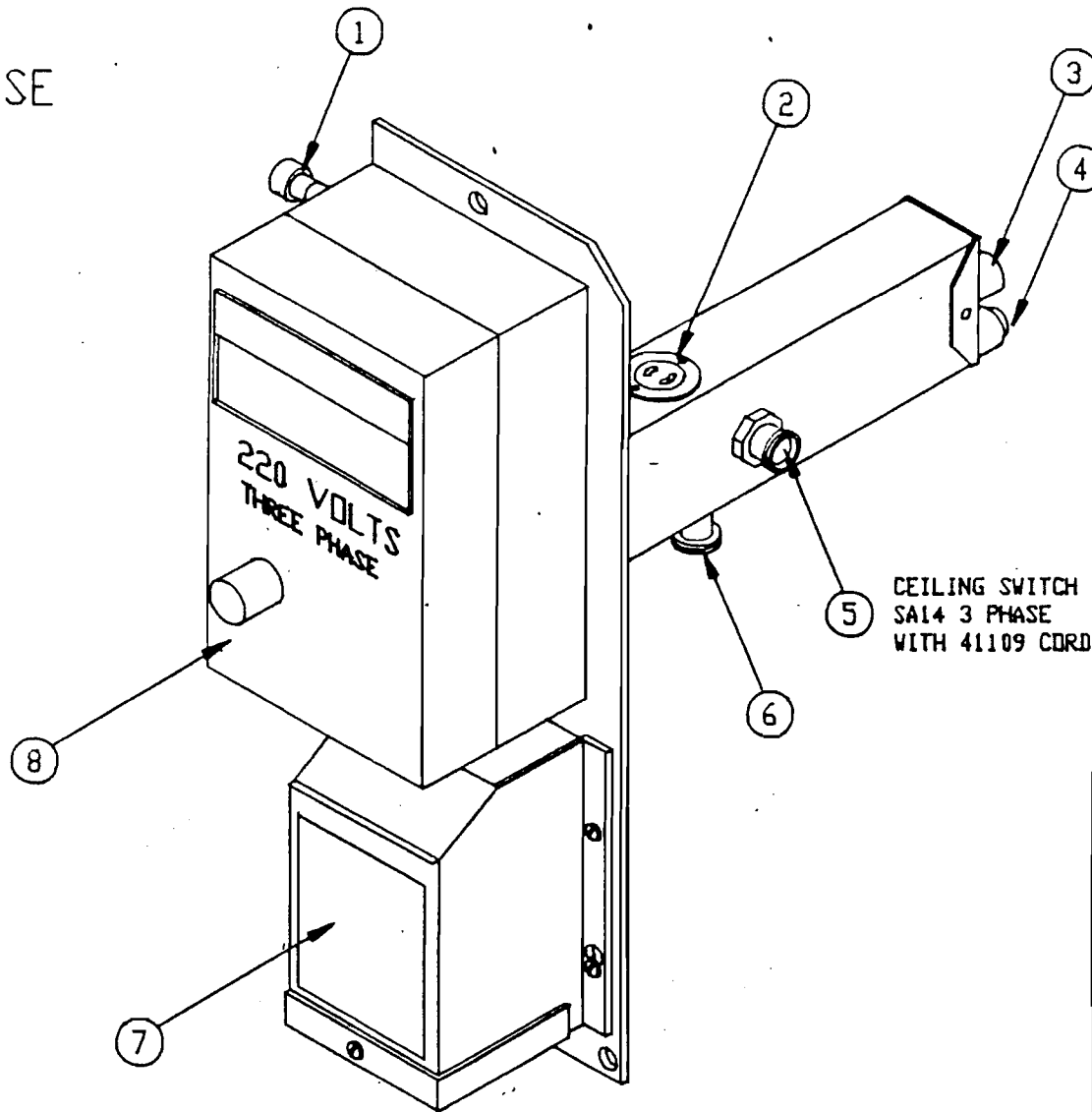
MATERIAL

DWN. TOM M

 CASH MACHINE CO.

DATE 4/24/92 NO. 105-P022

72 SNM
THREE PHASE



CEILING SWITCH
SA14 3 PHASE
WITH 41109 CORD

1	ABC 6	FUSE
2	7468	RECEPTACLE
3	800MRA1AS	START BUTTON
4	800MRB6AS	STOP BUTTON
5	41103	RECEPTACLE
6	41104	RECEPTACLE
7	9T51B5	TRANSFORMER
8	CR306B102	CONTACTOR

MATERIAL

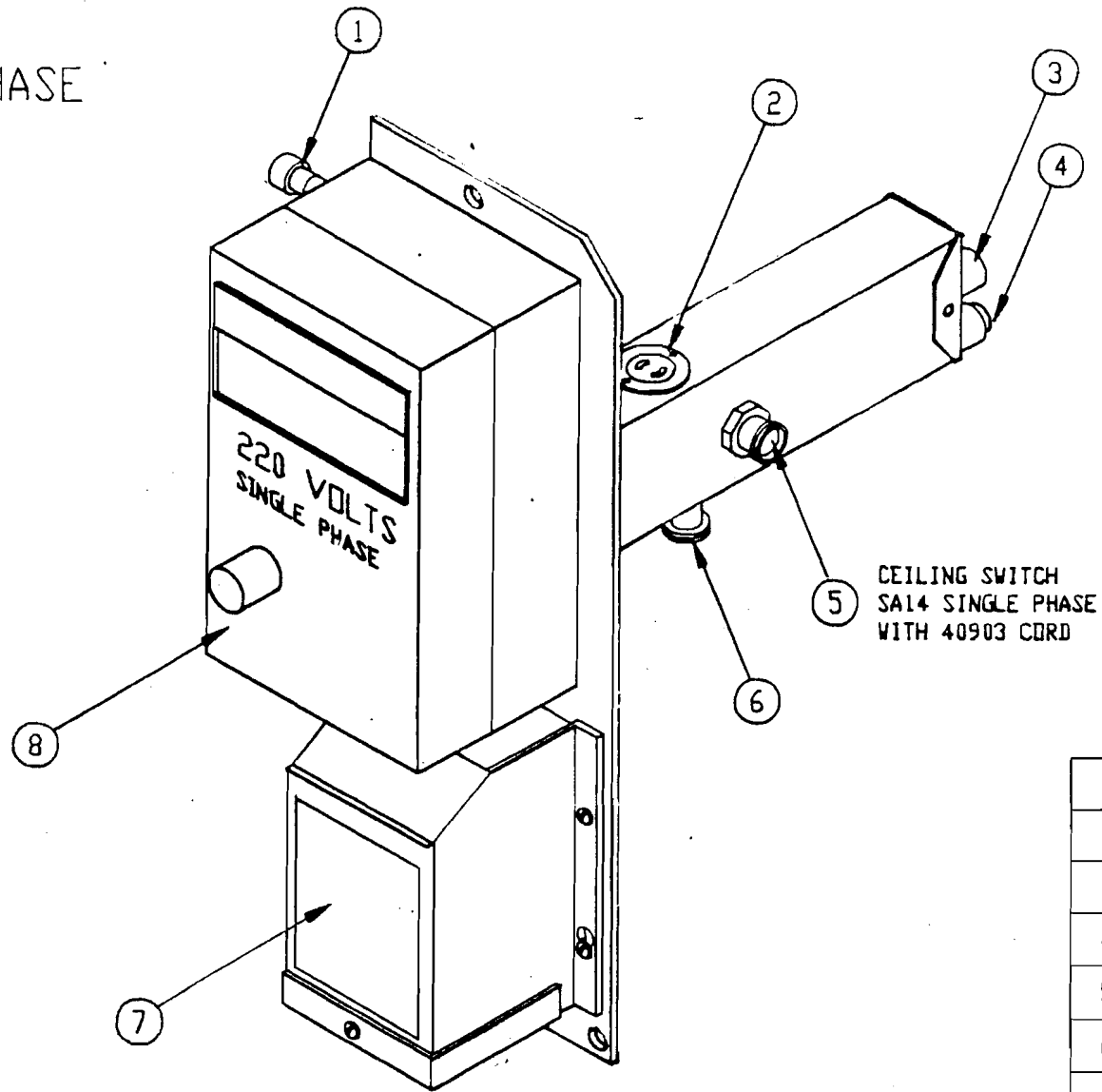
DWN. TOM M



CASH MACHINE CO.

DATE 4/24/92 720. 105-P020

72 SNM
SINGLE PHASE



CEILING SWITCH
SA14 SINGLE PHASE
WITH 40903 CORD

1	ABC 6	FUSE
2	7468	RECEPTACLE
3	800MRA1AS	START BUTTON
4	800MRB6AS	STOP BUTTON
5	40909	RECEPTACLE
6	40910	RECEPTACLE
7	9T51B5	TRANSFORMER
8	CR306B102	CONTACTOR

MATERIAL

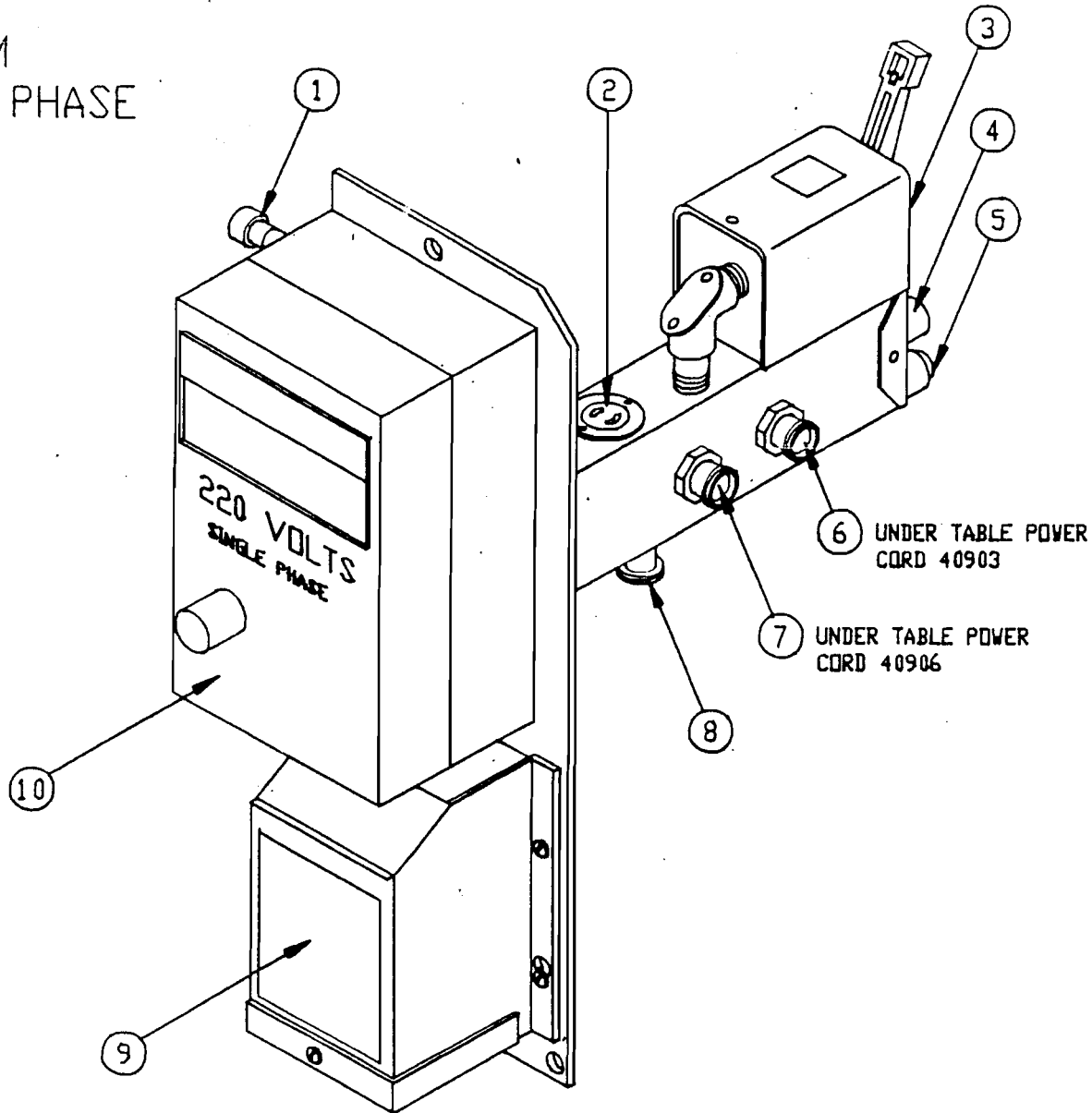
DWN. TOM M



CASH MACHINE CO.

DATE 4/24/92 NO. 105-P021

100 SNM
SINGLE PHASE



1	ABC 6	FUSE
2	7468	RECEPTACLE
3	9441H137	DRUM SWITCH
4	800MRA1AS	START BUTTON
5	800MRB6AS	STOP BUTTON
6	40909	RECEPTACLE
7	40910	RECEPTACLE
8	40910	RECEPTACLE
9	9T51B5	TRANSFORMER
10	CR306B102	CONTACTOR

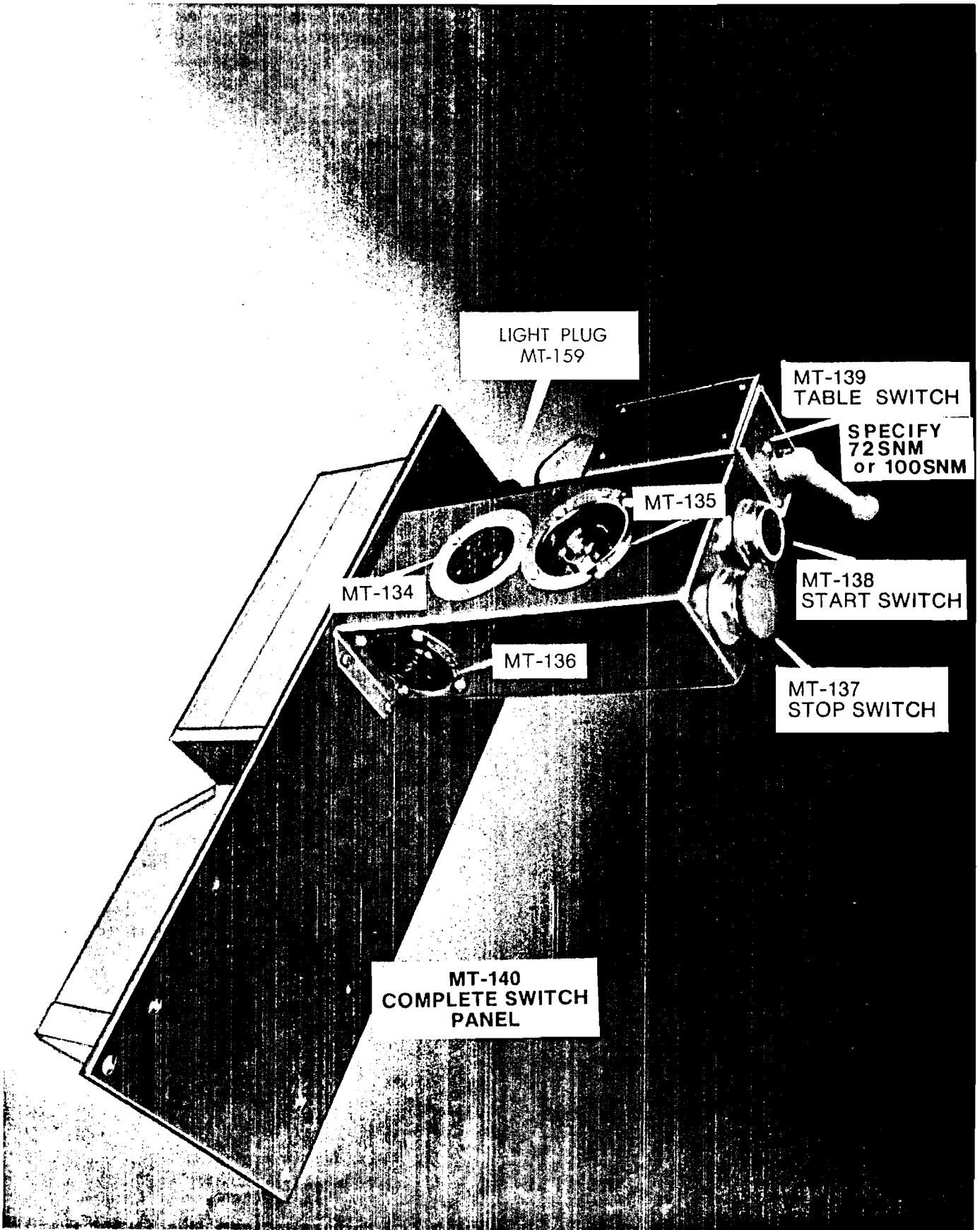
MATERIAL

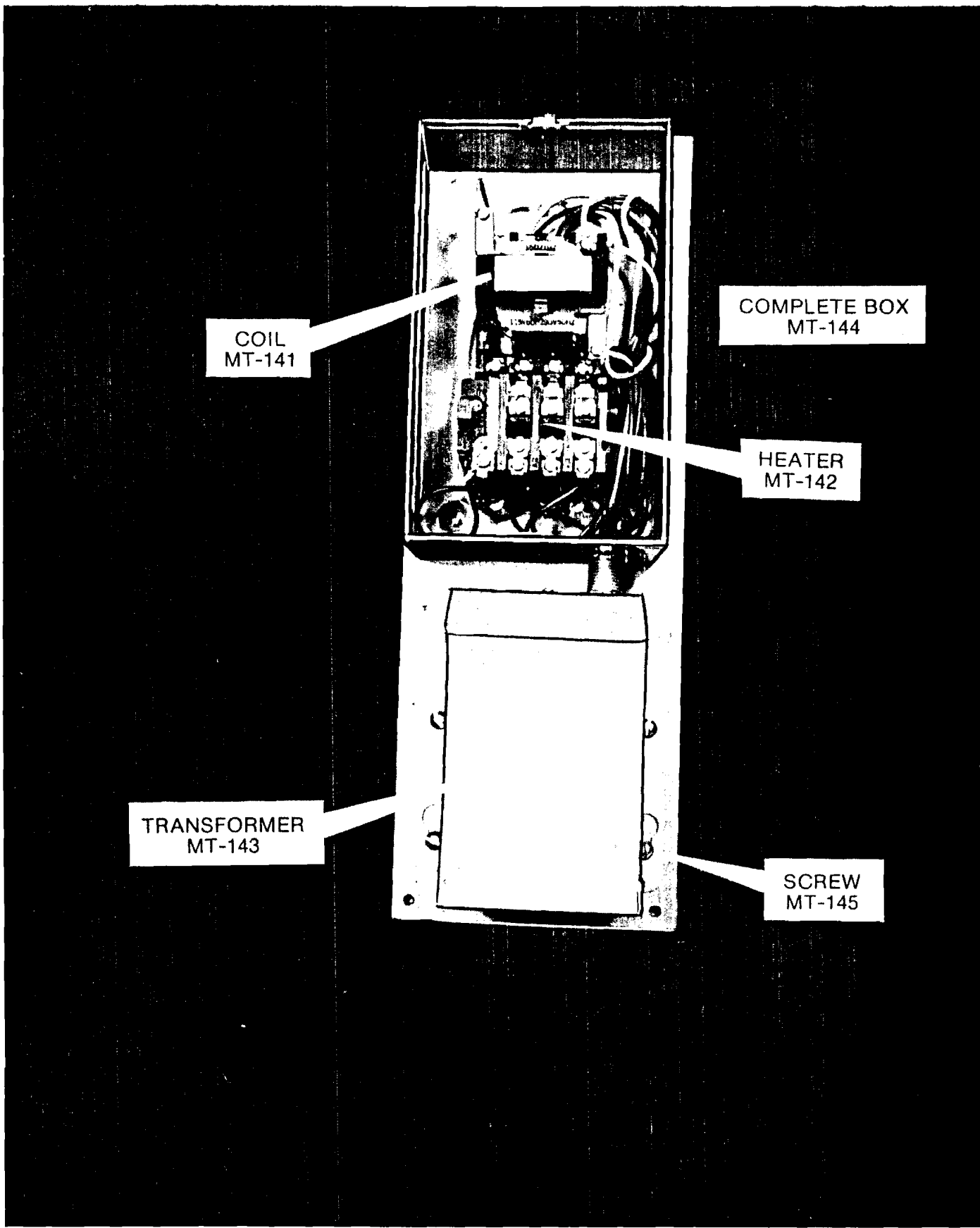
DWN. TOM M



CASH MACHINE CO.

DATE 4/24/92 NO. 105-P019





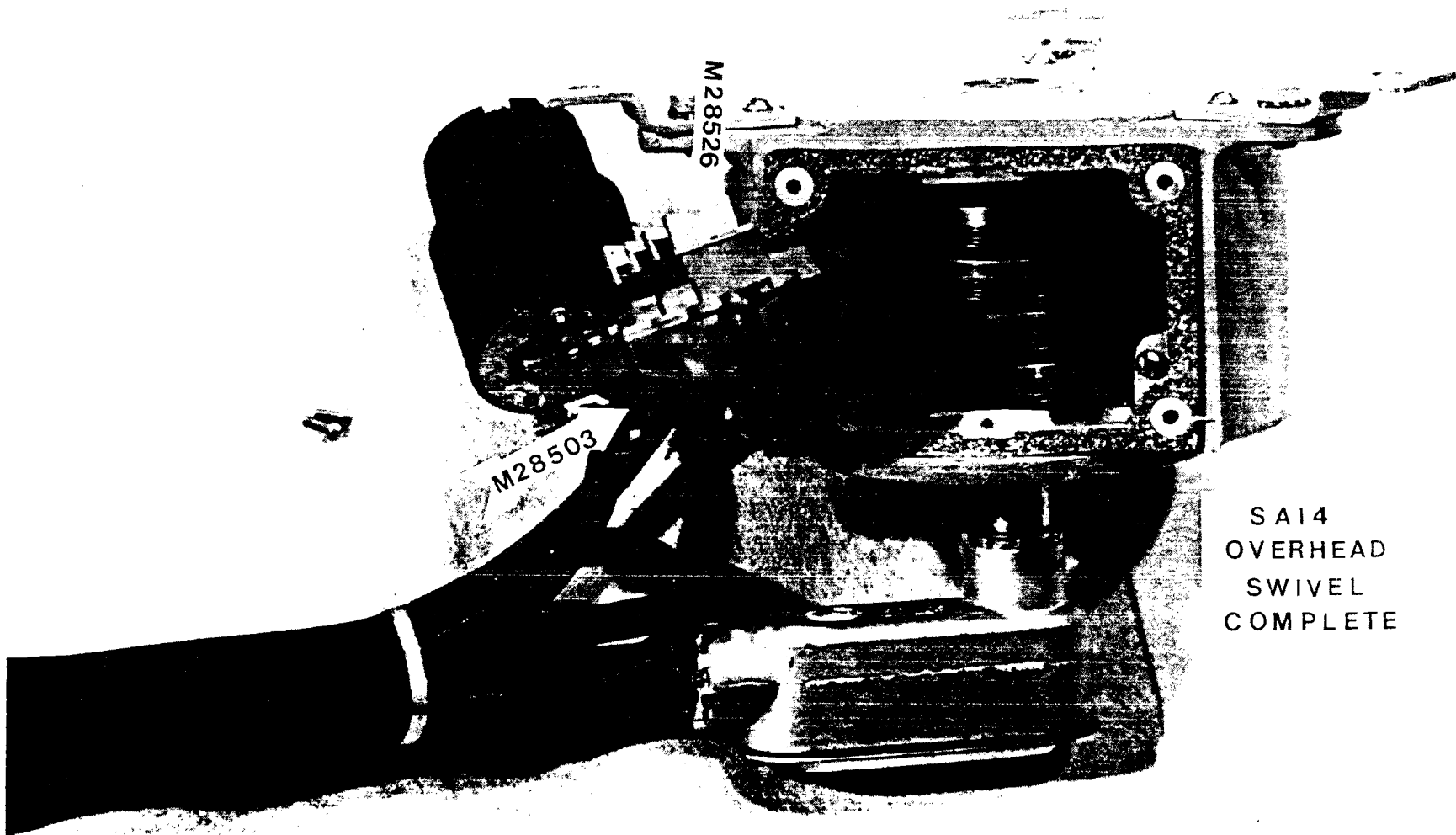
COIL
MT-141

COMPLETE BOX
MT-144

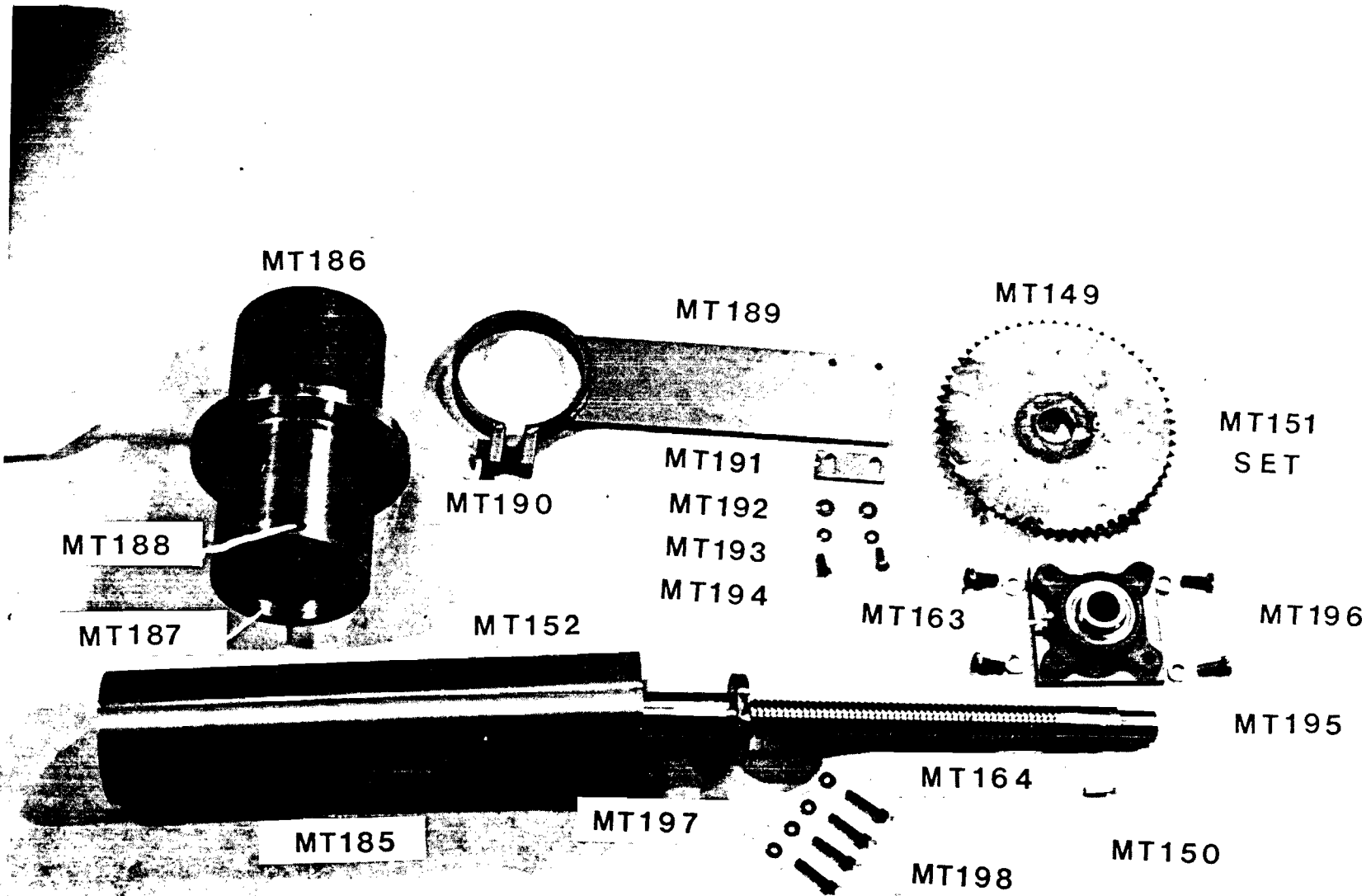
HEATER
MT-142

TRANSFORMER
MT-143

SCREW
MT-145



SA14
OVERHEAD
SWIVEL
COMPLETE



MT186

MT189

MT149

MT151
SET

MT188

MT190

MT191

MT192

MT193

MT194

MT187

MT152

MT163

MT196

MT195

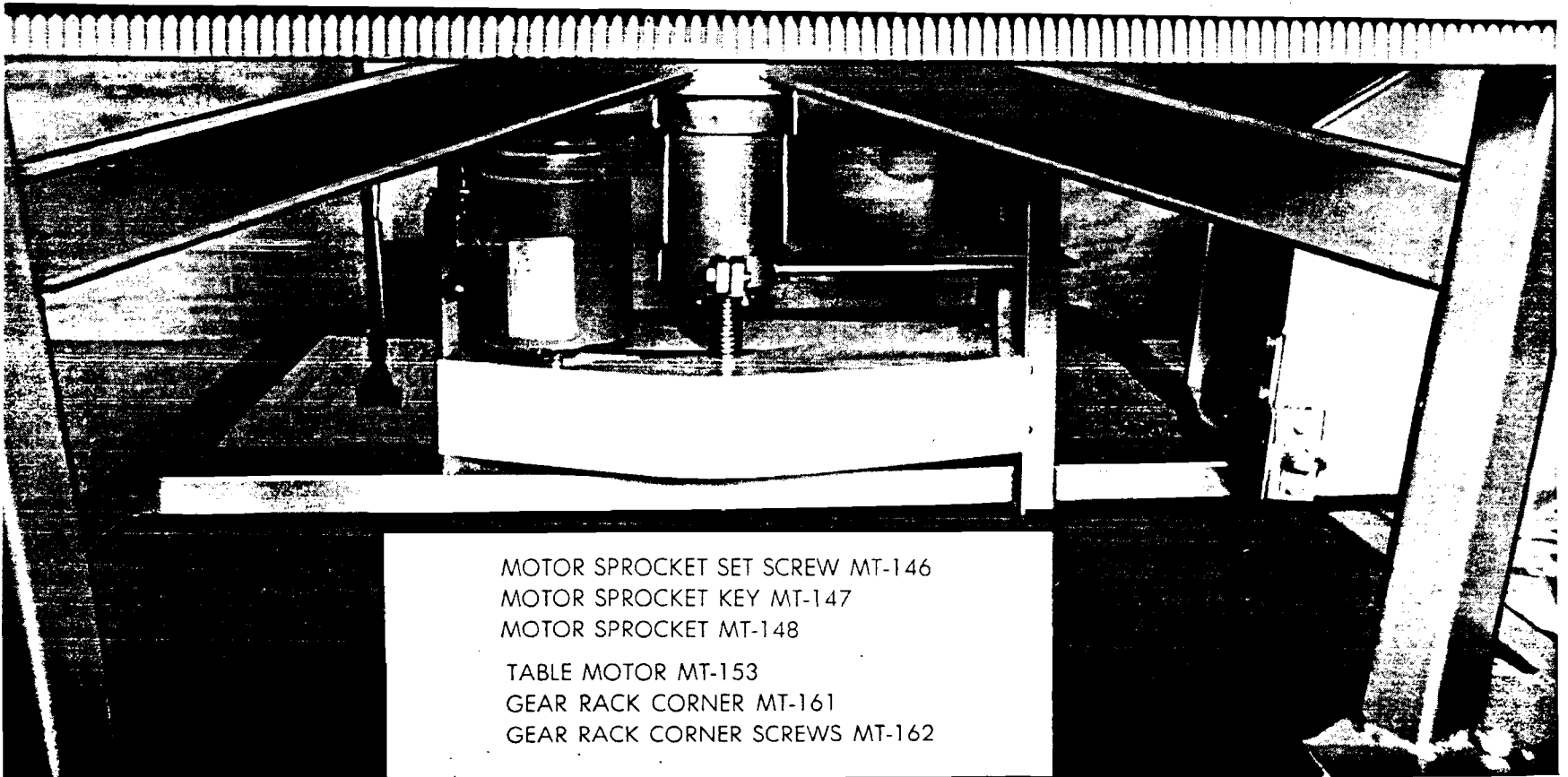
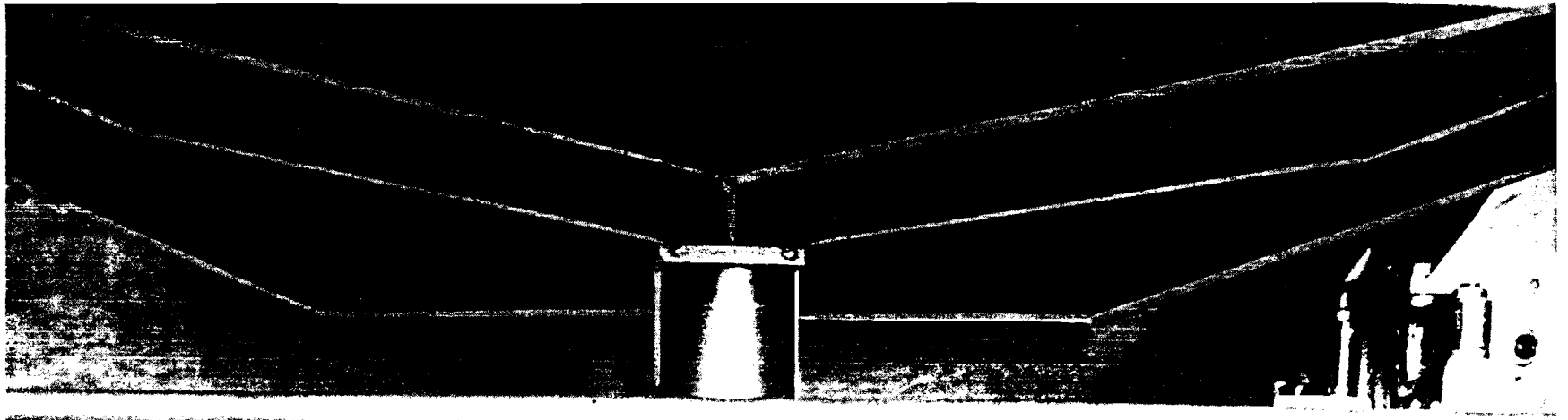
MT185

MT197

MT164

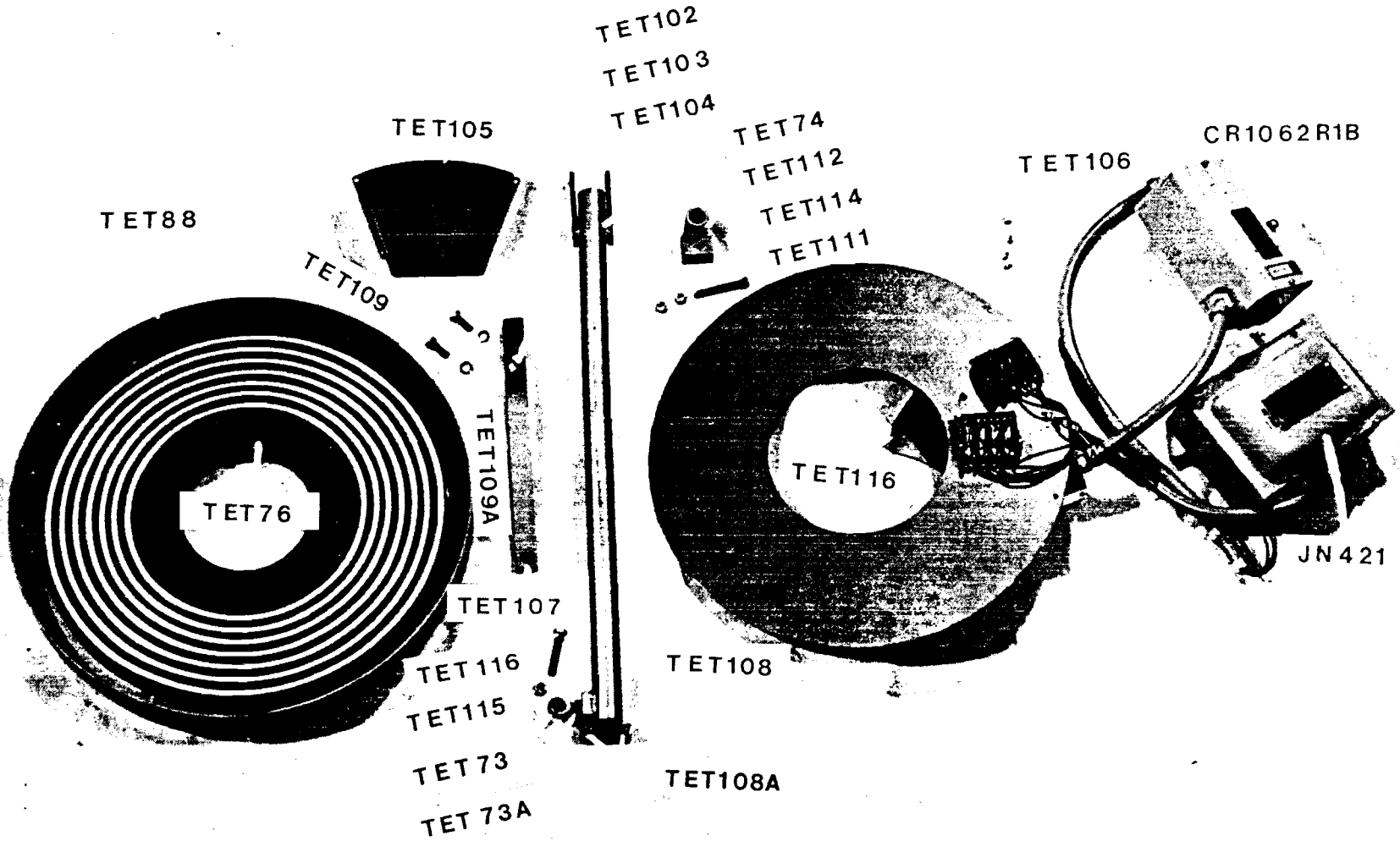
MT198

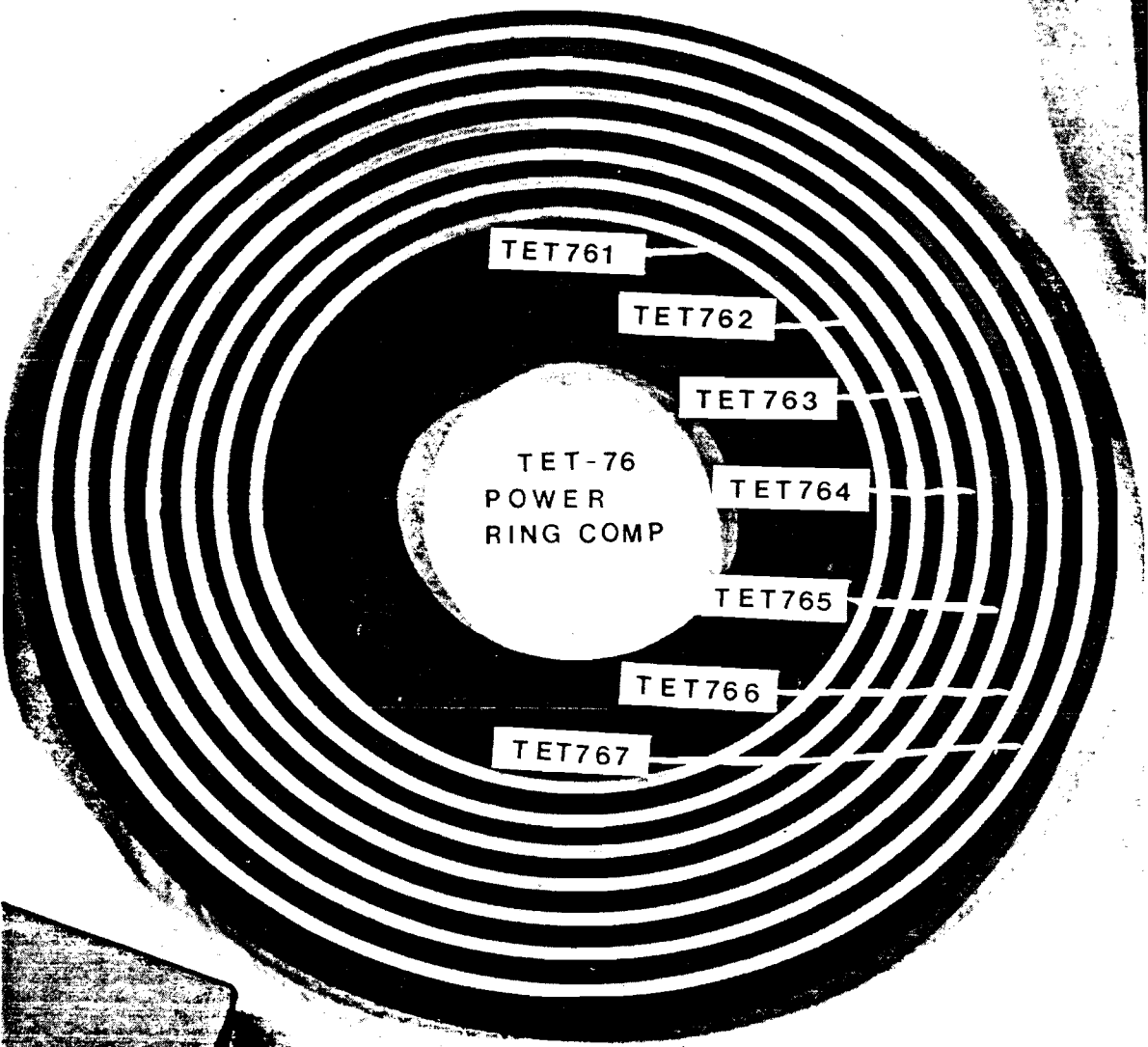
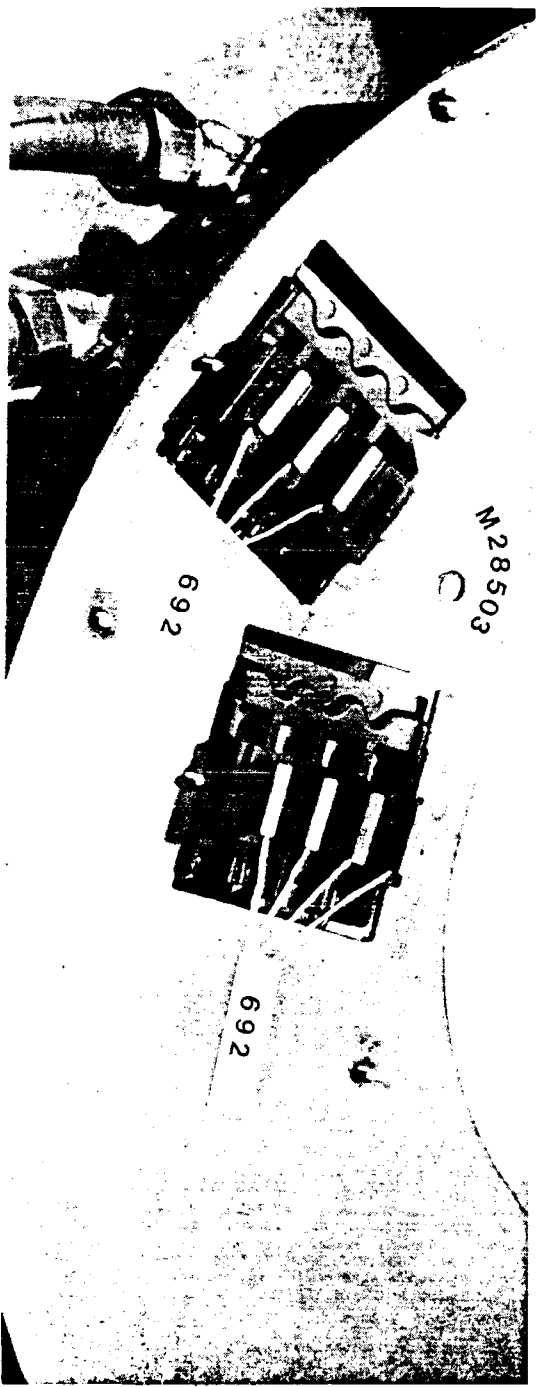
MT150




MOTOR SPROCKET SET SCREW MT-146
MOTOR SPROCKET KEY MT-147
MOTOR SPROCKET MT-148

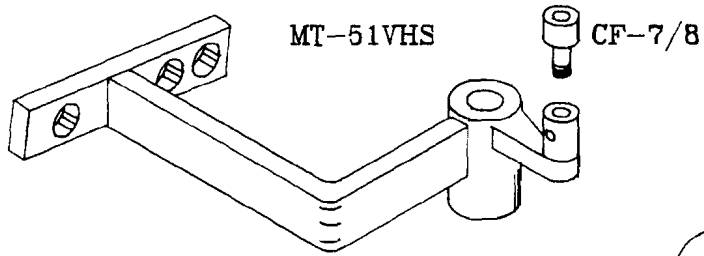
TABLE MOTOR MT-153
GEAR RACK CORNER MT-161
GEAR RACK CORNER SCREWS MT-162



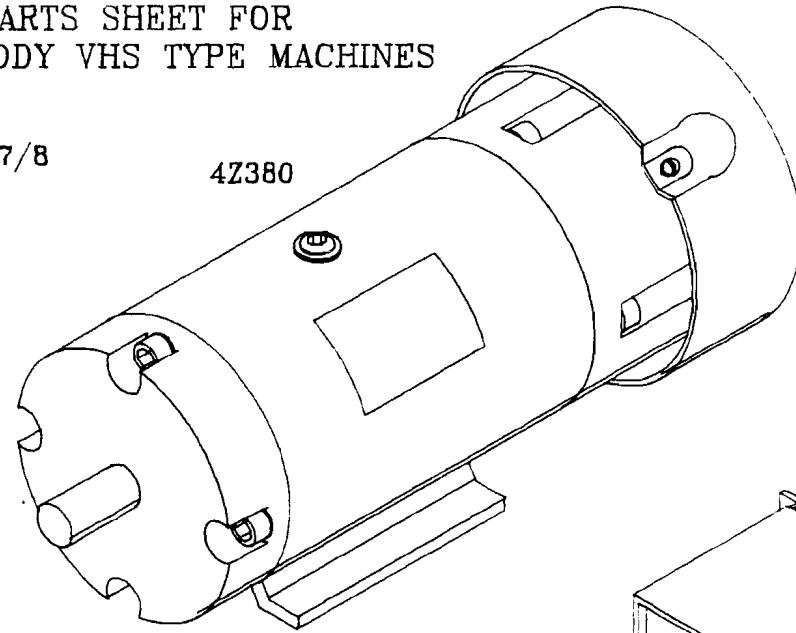


 CASH MACHINE CO.

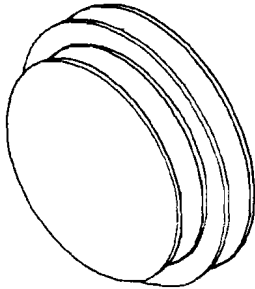
PARTS SHEET FOR
SILVER BODY VHS TYPE MACHINES



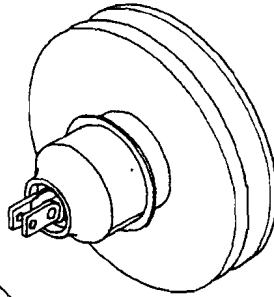
4Z380



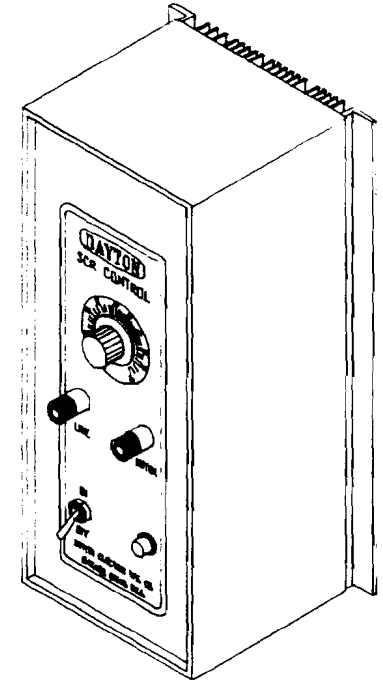
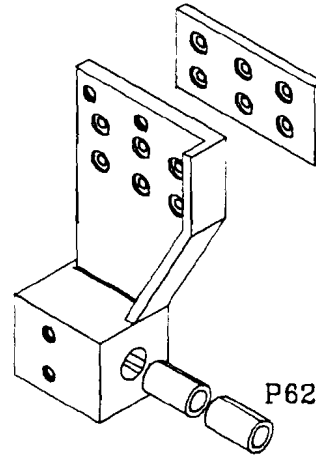
MT13VHS



MT1547/8



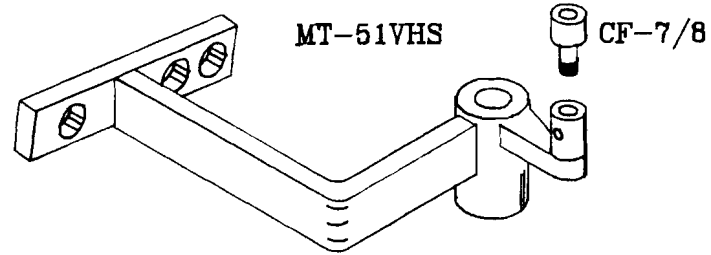
MT57VHS



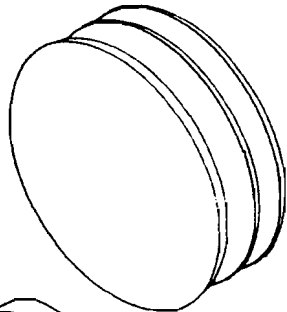


CASH MACHINE CO.

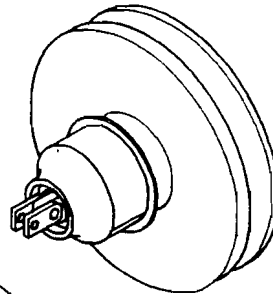
PARTS SHEET FOR MODEL
72 & 100 HIGH SPEED TYPE MACHINES



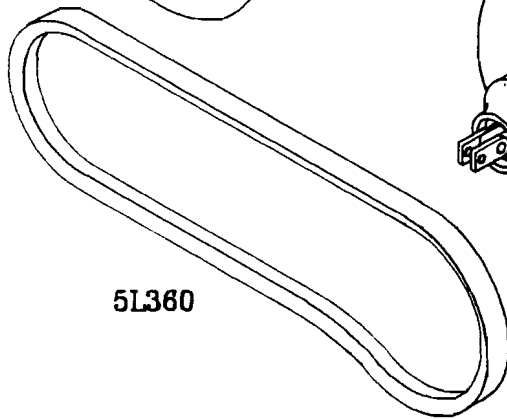
MT13



MT154 5/8
6" CLUTCH



5L360



MT57VHS

